

FAURECIA EXPANSION

272 OLD JACKSON ROAD

MADISON, MISSISSIPPI 39110

TABLE OF CONTENTS

- COVER
- EXISTING SITE TOPOGRAPHY
- OVERALL SITE LAYOUT
- SITE PLAN NORTH
- SITE PLAN WEST
- EXTERIOR ELEVATIONS
- ASBUILT DRAINAGE



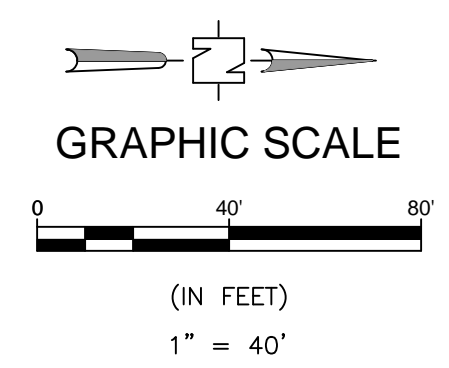
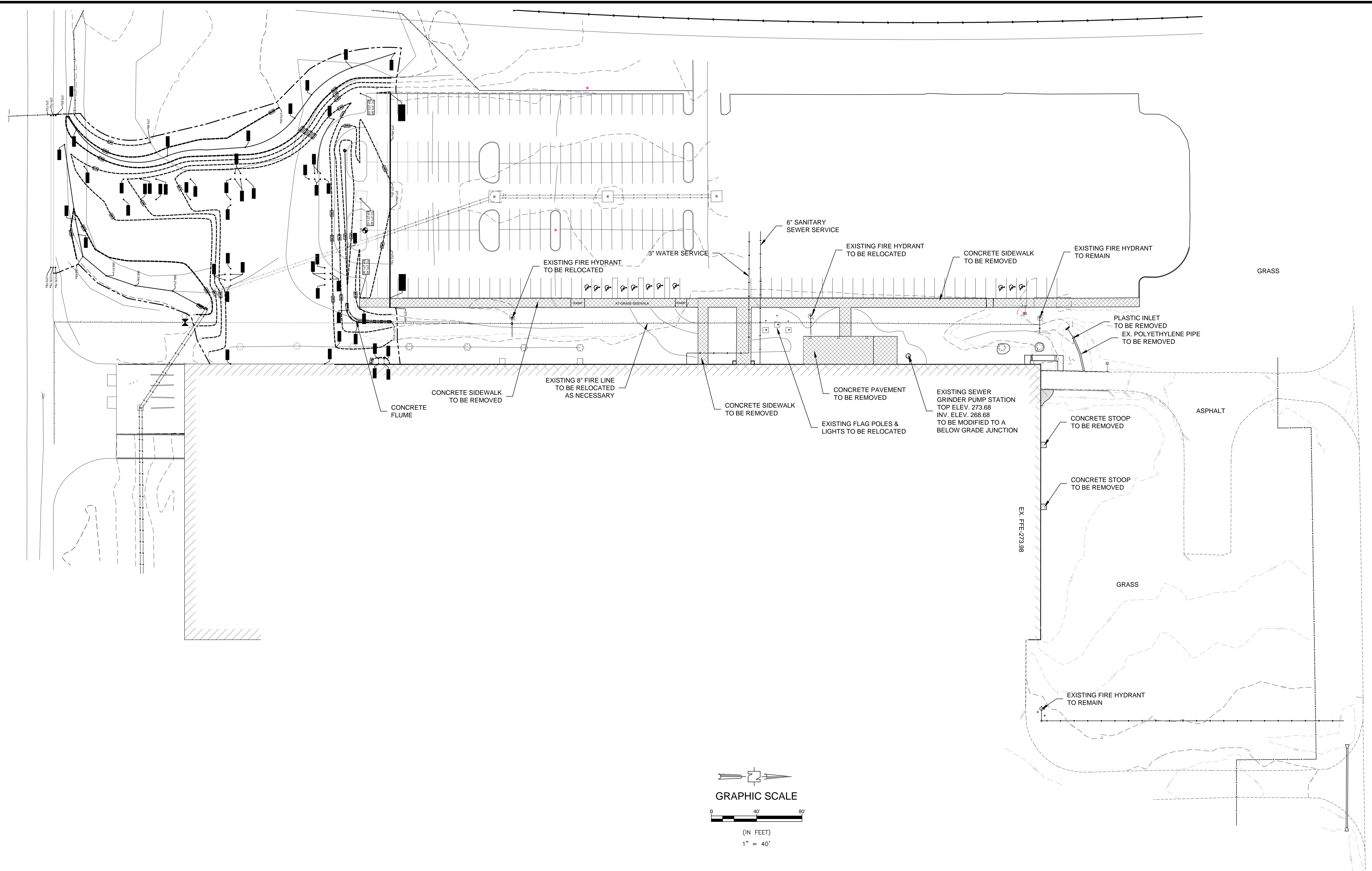
FOR REVIEW ONLY
MADISON COUNTY PLANNING AND ZONING

SEPTEMBER 1, 2017

FAURECIA EXPANSION
 272 OLD JACKSON ROAD
 MADISON, MISSISSIPPI

Revisions:		
No.	Date	Description

Sheet Info:	
Drawn By:	
Checked By:	DGC
Commission:	017-1874
Date:	2017-08-22



NOTICE TO DRAWING HOLDER
 CIVIL LINK, LLC, HEREINAFTER REFERRED TO AS ENGINEER, HAS PREPARED & FURNISHED THIS DRAWING TO THE OWNER FOR USE ON THIS PROJECT ONLY. THIS DRAWING SHOULD NOT BE USED ON EXTENSIONS OF THIS PROJECT OR ON ANY OTHER PROJECT. ANY REUSE OF THIS DRAWING WITHOUT WRITTEN VERIFICATION OR ADAPTATION BY THE ENGINEER SHALL BE AT THE REUSER'S SOLE RISK AND THE REUSER SHALL INDEMNIFY & HOLD HARMLESS THE ENGINEER FROM ALL CLAIMS, DAMAGES, LOSSES & EXPENSES INCLUDING ATTORNEY'S FEES ARISING OUT OF OR RESULTING THEREFROM.

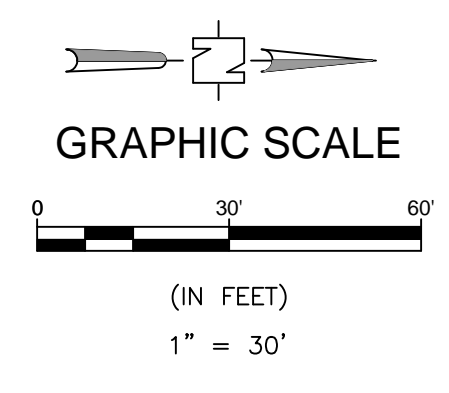
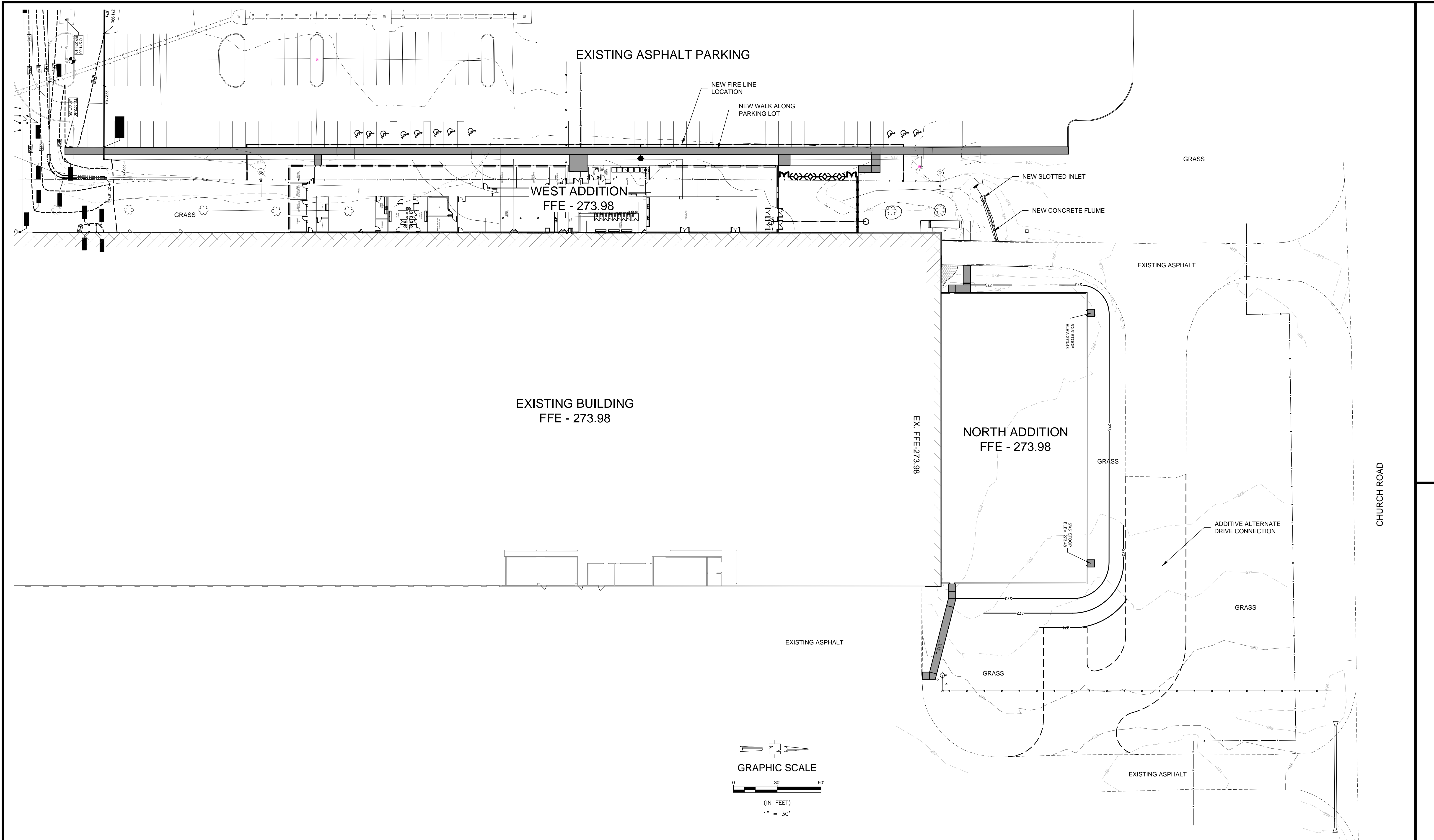
REVISIONS			DRAWING INFORMATION	
NO.	DATE	BY	DESCRIPTION	
				C-L PROJECT NO.: 170808-001
				SCALE: 1" = 40'
				SURVEYED BY: CAW
				DSGN: KH DATE: 08-31-17
				DRWN: KH DATE: 08-31-17
				CHKD: CAW DATE: 08-31-17

FAURECIA EXPANSION
 272 OLD JACKSON ROAD
 MADISON, MISSISSIPPI



EXISTING SITE TOPOGRAPHY

WORKING NUMBER: 1	DRAWING NUMBER: 1
----------------------	----------------------



NOTICE TO DRAWING HOLDER
 CIVIL LINK, LLC, HEREINAFTER REFERRED TO AS ENGINEER, HAS PREPARED & FURNISHED THIS DRAWING TO THE OWNER FOR USE ON THIS PROJECT ONLY. THIS DRAWING SHOULD NOT BE USED ON EXTENSIONS OF THIS PROJECT OR ON ANY OTHER PROJECT. ANY REUSE OF THIS DRAWING WITHOUT WRITTEN VERIFICATION OR ADAPTATION BY THE ENGINEER SHALL BE AT THE REUSER'S SOLE RISK AND THE REUSER SHALL INDEMNIFY & HOLD HARMLESS THE ENGINEER FROM ALL CLAIMS, DAMAGES, LOSSES & EXPENSES INCLUDING ATTORNEY'S FEES ARISING OUT OF OR RESULTING THEREFROM.

REVISIONS			DRAWING INFORMATION	
NO.	DATE	BY	DESCRIPTION	
				C-L PROJECT NO.: 170808-001
				SCALE: 1" = 30'
				SURVEYED BY: CAW
				DSGN: KH DATE: 08-31-17
				DRWN: KH DATE: 08-31-17
				CHKD: CAW DATE: 08-31-17

FAURECIA EXPANSION
 272 OLD JACKSON ROAD
 MADISON, MISSISSIPPI



OVERALL SITE PLAN

WORKING NUMBER:
2

DRAWING NUMBER:
2

CHURCH ROAD

GRASS

EXISTING ASPHALT

ADDITIVE ALTERNATE:
ASPHALT DRIVE CONNECTION

EXISTING ASPHALT

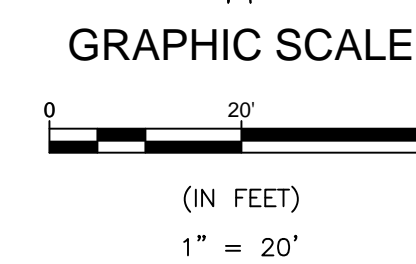
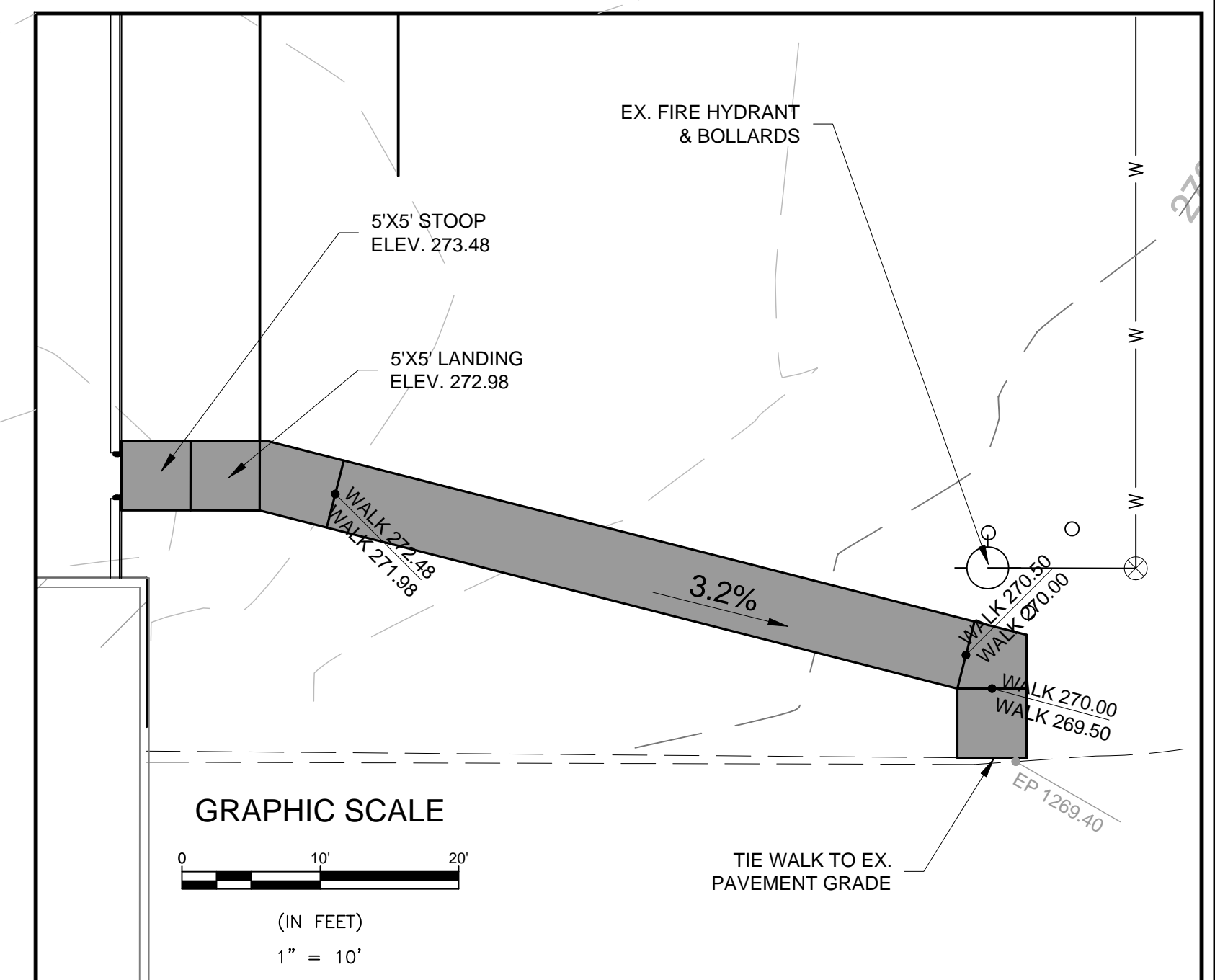
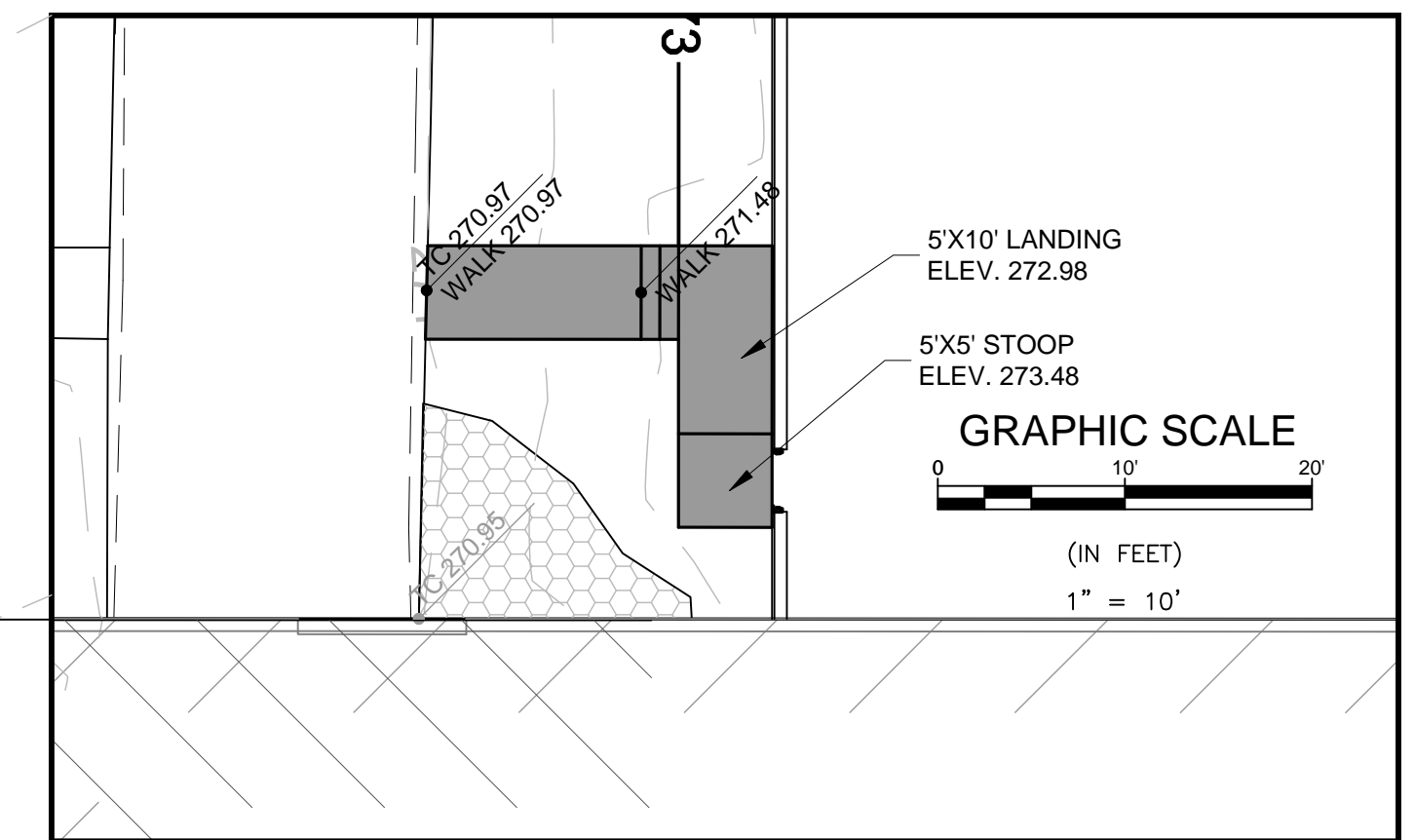
GRASS

NORTH ADDITION
FFE - 273.98

GRASS

EXISTING BUILDING
FFE - 273.98

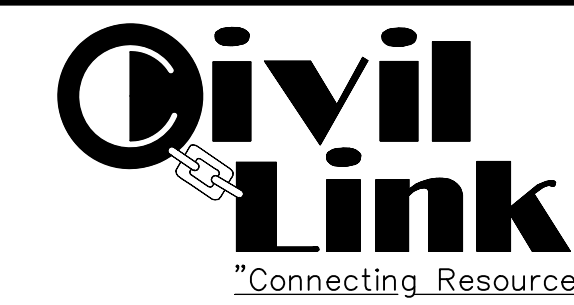
EXISTING ASPHALT



NOTICE TO DRAWING HOLDER
CIVIL LINK, LLC, HEREINAFTER REFERRED TO AS ENGINEER, HAS PREPARED & FURNISHED THIS DRAWING TO THE OWNER FOR USE ON THIS PROJECT ONLY. THIS DRAWING SHOULD NOT BE USED ON EXTENSIONS OF THIS PROJECT OR ON ANY OTHER PROJECT. ANY REUSE OF THIS DRAWING WITHOUT WRITTEN VERIFICATION OR ADAPTATION BY THE ENGINEER SHALL BE AT THE REUSER'S SOLE RISK AND THE REUSER SHALL INDEMNIFY & HOLD HARMLESS THE ENGINEER FROM ALL CLAIMS, DAMAGES, LOSSES & EXPENSES INCLUDING ATTORNEY'S FEES ARISING OUT OF OR RESULTING THEREFROM.

REVISIONS			DRAWING INFORMATION	
NO.	DATE	BY	DESCRIPTION	
				C-L PROJECT NO.: 170808-001
				SCALE: GRAPHIC
				SURVEYED BY: CAW
				DSGN: KH DATE: 08-31-17
				DRWN: KH DATE: 08-31-17
				CHKD: CAW DATE: 08-31-17

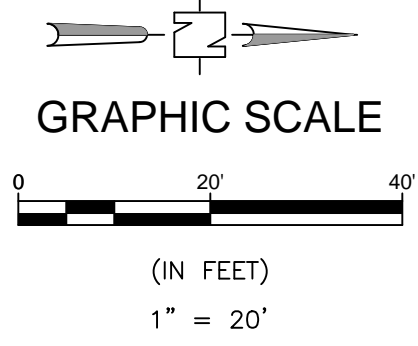
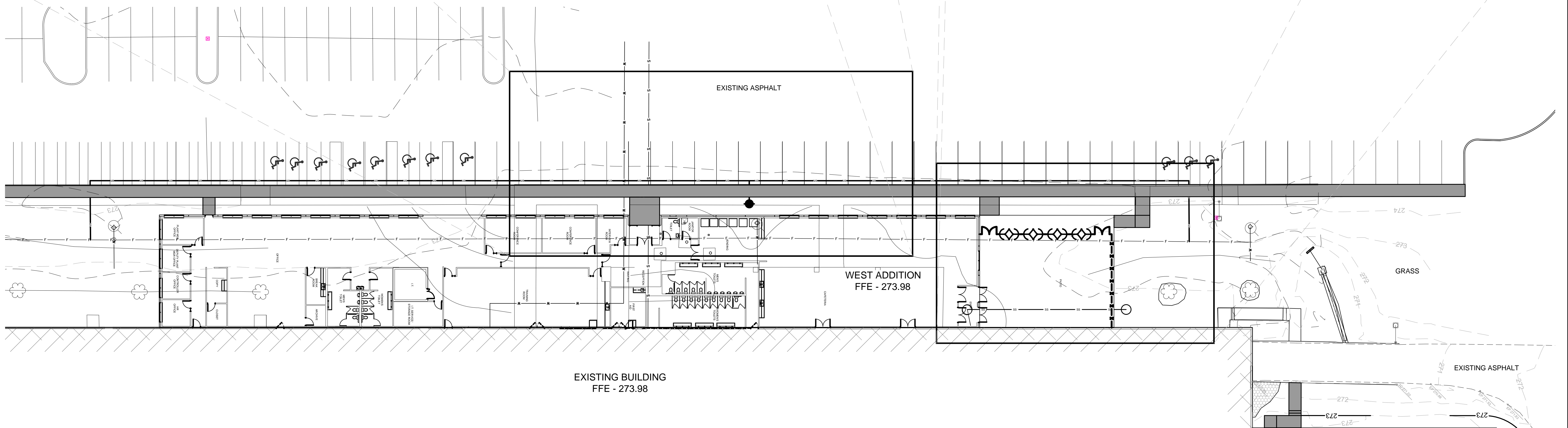
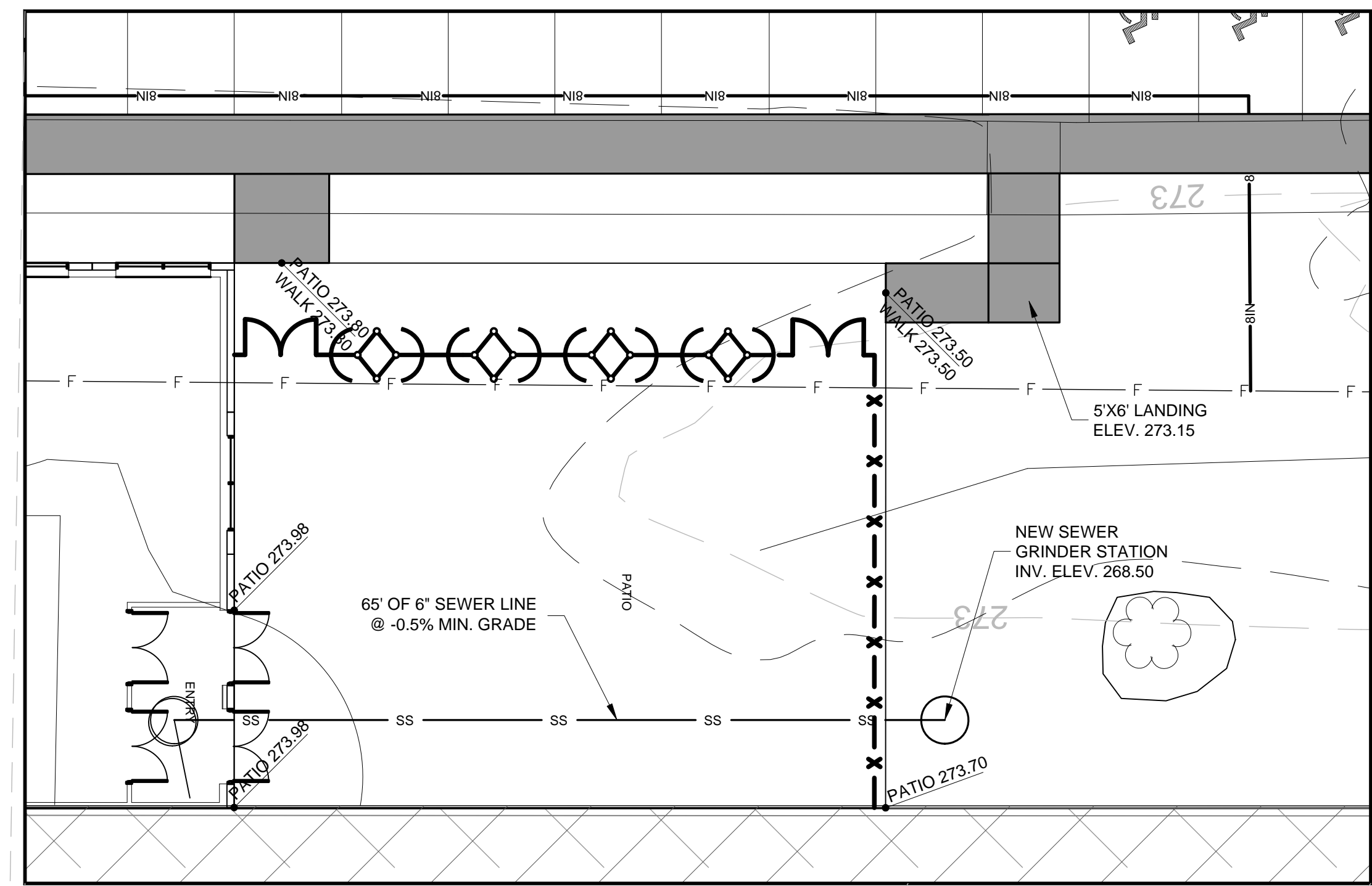
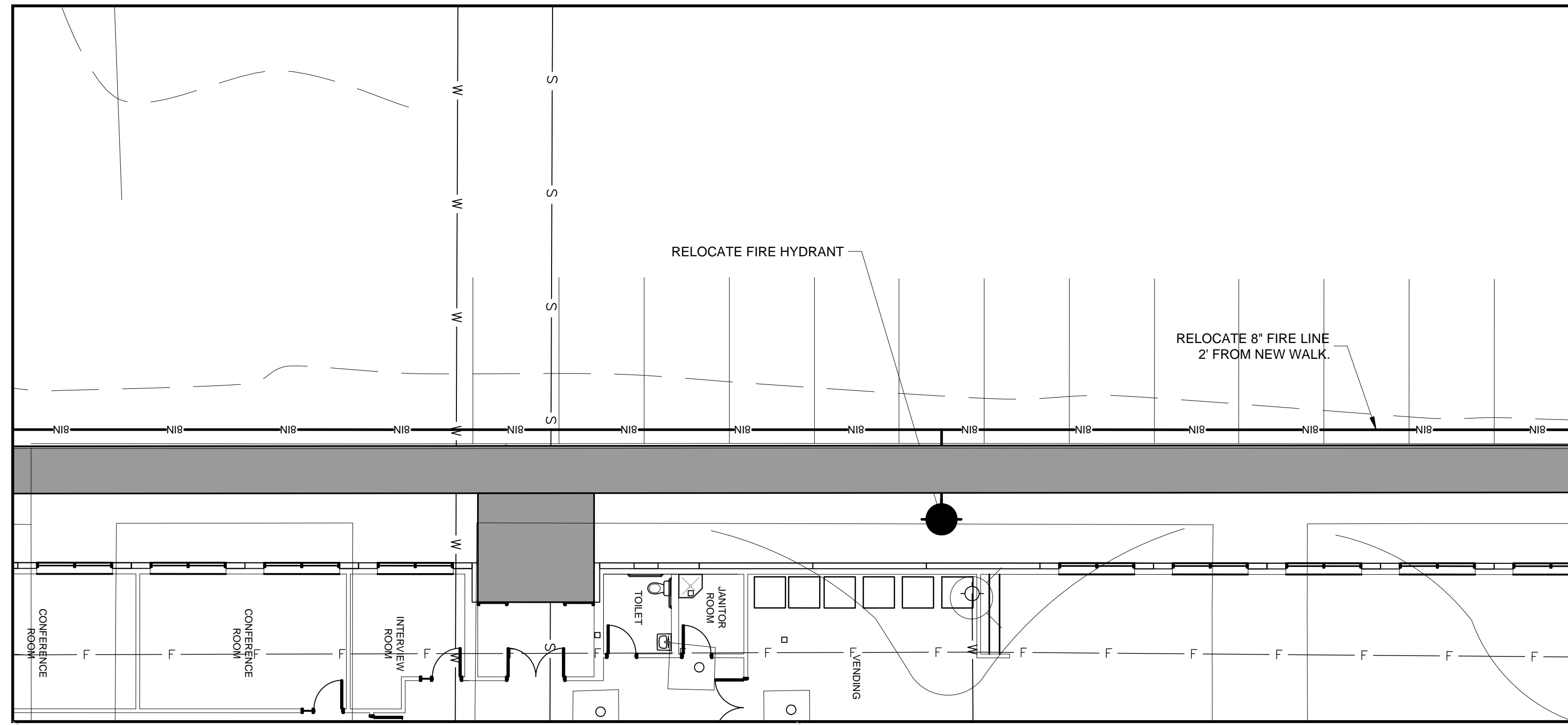
FAURECIA EXPANSION
272 OLD JACKSON ROAD
MADISON, MISSISSIPPI



SITE PLAN NORTH

WORKING NUMBER:
3

DRAWING NUMBER:
3



NOTICE TO DRAWING HOLDER
 CIVIL LINK, LLC, HERINAFTER REFERRED TO AS ENGINEER, HAS PREPARED & FURNISHED THIS DRAWING TO THE OWNER FOR USE ON THIS PROJECT ONLY. THIS DRAWING SHOULD NOT BE USED ON EXTENSIONS OF THIS PROJECT OR ON ANY OTHER PROJECT. ANY REUSE OF THIS DRAWING WITHOUT WRITTEN VERIFICATION OR ADAPTATION BY THE ENGINEER SHALL BE AT THE REUSER'S SOLE RISK AND THE REUSER SHALL INDEMNIFY & HOLD HARMLESS THE ENGINEER FROM ALL CLAIMS, DAMAGES, LOSSES & EXPENSES INCLUDING ATTORNEY'S FEES ARISING OUT OF OR RESULTING THEREFROM.

REVISIONS			DRAWING INFORMATION	
NO.	DATE	BY	DESCRIPTION	

C-L PROJECT NO.: 170808-001
 SCALE: GRAPHIC
 SURVEYED BY: CAW
 DSGN: KH DATE: 08-31-17
 DRWN: KH DATE: 08-31-17
 CHKD: CAW DATE: 08-31-17

FAURECIA EXPANSION
 272 OLD JACKSON ROAD
 MADISON, MISSISSIPPI

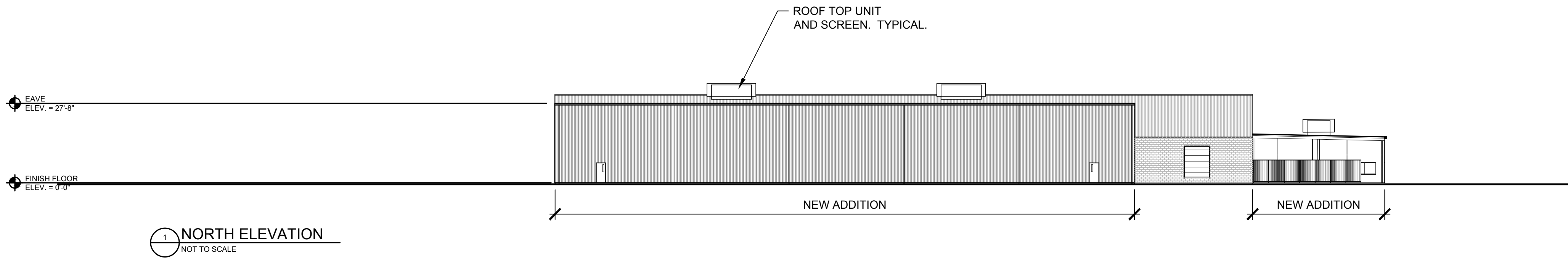


SITE PLAN WEST

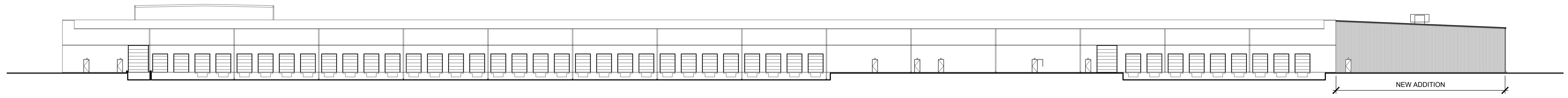
WORKING NUMBER:
4

DRAWING NUMBER:
4

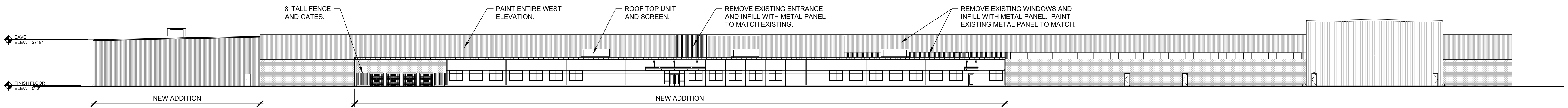
FAURECIA EXPANSION
 272 OLD JACKSON ROAD
 MADISON, MISSISSIPPI



1 NORTH ELEVATION
NOT TO SCALE



2 EAST ELEVATION
NOT TO SCALE



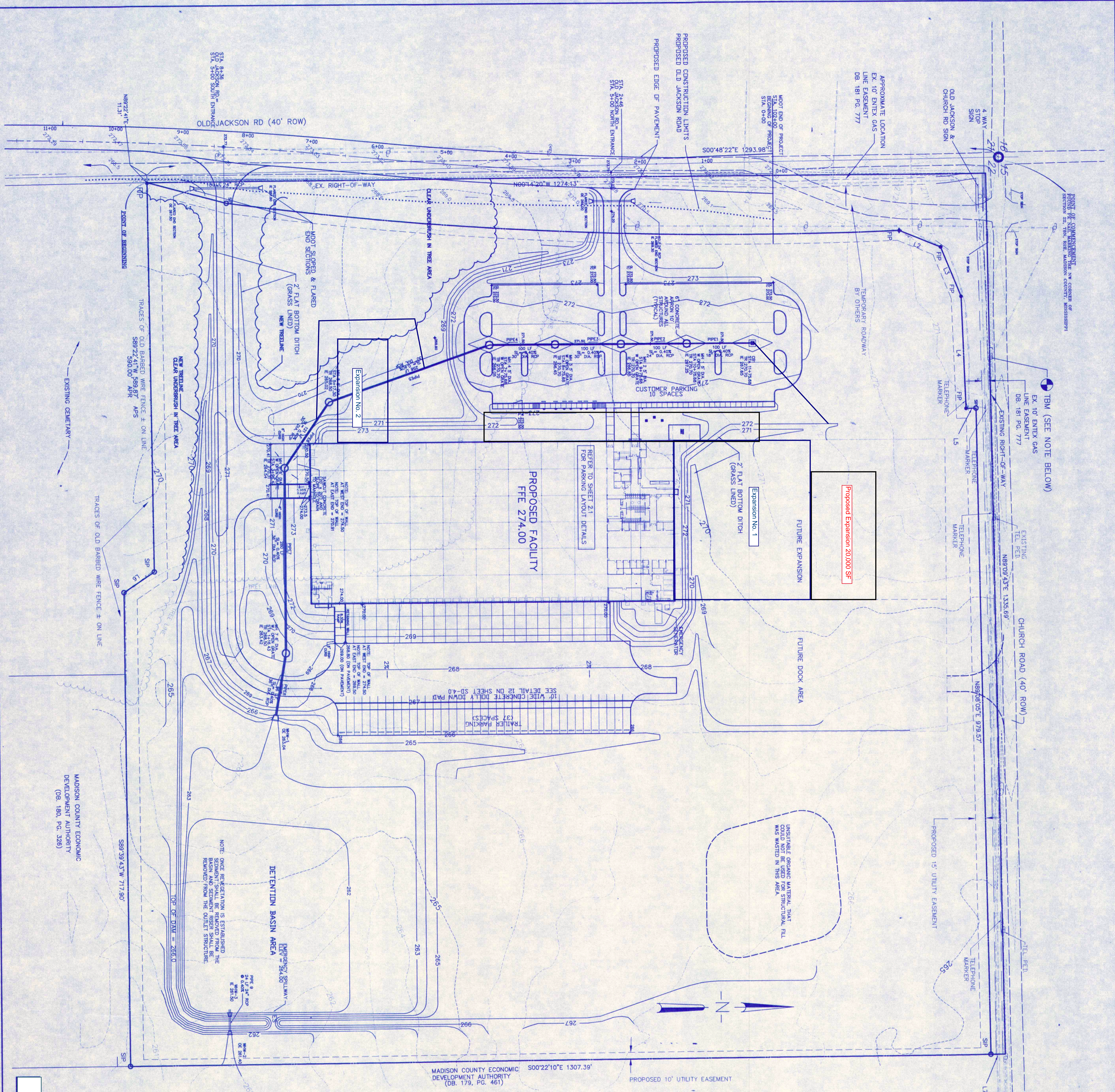
3 WEST ELEVATION
NOT TO SCALE

Revisions:

No.	Date	Description

Sheet Info:

EXTERIOR ELEVATIONS
Drawn By: SGW
Checked By: DGC
Commission: 017-1874
Date: 2017-09-01



FOR INFORMATION PURPOSES ONLY

LEGEND

- WHW CONCRETE WINGED HEADWALL
- EXISTING CONTOUR
- PROPOSED CONTOUR
- OUTLET INVERT ELEVATION
- HIGH DENSITY POLYETHYLENE PIPE
- RCP INVERT (FLOWLINE) ELEVATION
- MANHOLE
- EMERGENCY SPILLWAY
- ES

GENERAL NOTES

1. EXISTING TOPOGRAPHY AND CONTOURS ARE BASED UPON INFORMATION PROVIDED BY OTHERS. ANY DISCREPANCY BETWEEN THIS INFORMATION AND THE PROJECT ENGINEER AND/OR THE CONSTRUCTION PROJECT MANAGER.
2. THE PRESENCE AND LOCATION OF EXISTING UTILITIES SHOWN ON THESE PLANS IS FOR INFORMATION ONLY. THE GRADING CONTRACTOR SHALL TAKE ALL POSSIBLE CARE NOT TO DISTURB ANY UTILITIES WHETHER SHOWN ON THESE PLANS OR NOT. ANY DAMAGE TO ANY UTILITY RESULTING FROM GRADING OPERATIONS SHALL BE REPAIRED AT THE GRADING CONTRACTOR'S EXPENSE. NO ADDITIONAL COST TO THE OWNER. THE GRADING CONTRACTOR SHALL CONTACT THE UTILITY OWNERS PRIOR TO ANY LINE/CABLE LOCATIONS PRIOR TO EXCAVATIONS IN AREAS WHERE UTILITIES ARE KNOWN TO EXIST.
3. THE GRADING CONTRACTOR AND ITS OPERATORS SHALL NOTIFY THE PROJECT SUPERINTENDANT OF THE PRESENCE OF ANY CONDITIONS ENCOUNTERED DURING GRADING OPERATIONS THAT MAY BE DETERMINED TO SUBSEQUENTIALLY AFFECT EARTH MATERIALS, UNDERGROUND UTILITY LINES NOT SHOWN ON THESE PLANS, BURIED LANDFILL, REFUSE (GARBAGE, BARRELS, ETC.), ANY MATERIAL THAT MAY BE CLASSIFIED AS AN ENVIRONMENTAL HAZARD, UNSURE TRENCHES OR ANY OTHER CONDITION THAT MAY COMPROMISE THE SAFETY OF ANY PERSONS ON THIS PROJECT.
4. ALL RCP SHALL BE CLASS III
5. HOPE, IF SHOWN, SHALL BE BEDDED PER MANUFACTURER'S SPECIFICATIONS
6. SLOPES SHALL BE 3:1 OR FLATTER
7. SEE SITE LAYOUT SHEET FOR HORIZONTAL LAYOUT INFORMATION.

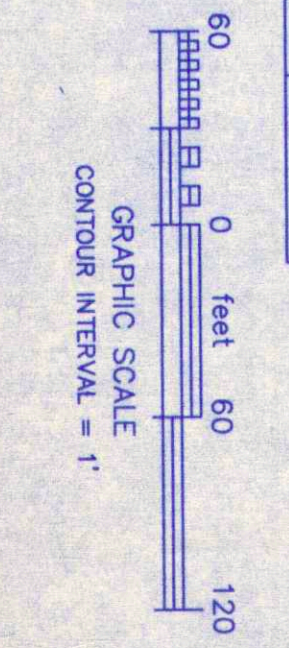
EMERGENCY SPILLWAY IS 6' WIDE WITH 3:1 SIDESLOPES AND SHALL BE GRASS LINED.

PIPE TABLE

PIPE	1	2	3	4	5	6	7	8	9
100 LF	100 LF	100 LF	100 LF	100 LF	100 LF	100 LF	100 LF	100 LF	100 LF
18" DIA. RCP	24" DIA. RCP	30" DIA. RCP	36" DIA. RCP	42" DIA. RCP	48" DIA. RCP	54" DIA. RCP	60" DIA. RCP	66" DIA. RCP	72" DIA. RCP
SI = 0.40%	SI = 0.40%	SI = 0.40%	SI = 0.40%	SI = 0.40%	SI = 0.40%	SI = 0.40%	SI = 0.40%	SI = 0.40%	SI = 0.40%

STRUCTURE TABLE

STRUCTURE	STATION	ELEVATION	ELEVATION
CB1	STA 11+75.68	TR 270.70	IE 287.69
MH 1	STA 10+75.68	TR 270.70	IE 287.30
MH 2	STA 9+75.68	TR 270.70	IE 286.50
MH 3	STA 8+75.68	TR 270.70	IE 286.10
MH 4	STA 7+75.68	TR 268.50	IE 285.03
MH 5	STA 6+75.68	TR 268.50	IE 284.54
MH 6	STA 5+75.68	TR 268.50	IE 283.42
MH 7	STA 4+75.68	TR 268.50	IE 282.95
MH 8	STA 3+75.68	TR 268.50	IE 281.50
MH 9	STA 2+75.68	TR 268.50	IE 281.00



ASG SEATING PLANT
Johnson Controls, Inc.
 CANTON, MADISON COUNTY, MISSISSIPPI

SITE GRADING AND DRAINAGE PLAN

RECORD DOCUMENT

JOB NUMBER: 2020048
 SHEET NUMBER: SD-10

gnf
 GNF Architects and Engineers, P.S.C.

10 Quality Street
 Lexington, Kentucky 40507-1450
 Telephone: (859) 281-5300
 Facsimile: (859) 252-5300
 Lexington, KY - Glasgow, KY - Richmond, VA - Portland, OR

DATE	DESCRIPTION
10/21/08	RECORD DRAWINGS
05/03/08	100% CLIENT REVIEW
04/16/08	DOCUMENT RELEASE
03/25/08	80% CUSTOMER REVIEW
02/26/08	PERMIT REVIEW